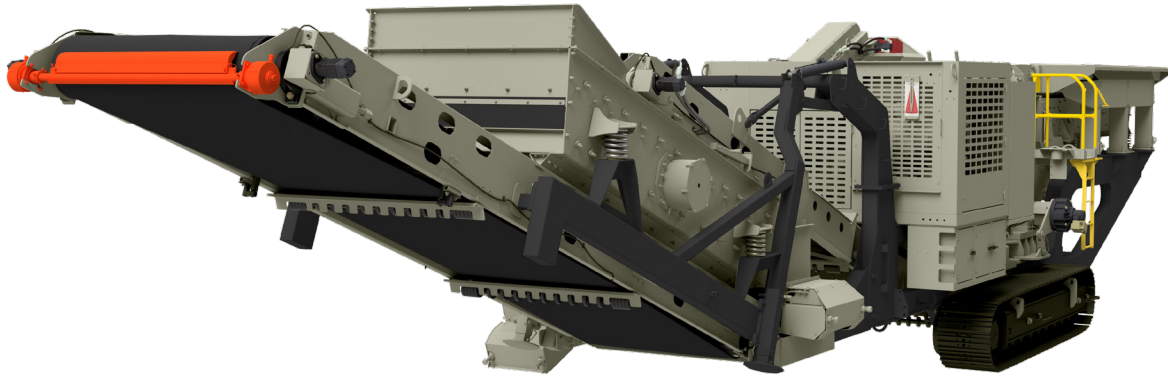


FT4250CC

Mobile HSI Plant



Vibrating Grizzly Feeder

- 50" (1270mm) x 18' (5.5m) Vibrating Pan Feeder
- 6.5 cubic yard hopper with fixed walls
- 5' step-deck grizzly fingers 1.5" nominal spacing
- Bypass chute with flop gate

Impact Crusher - HSI

- HSI opening height - 36" (914mm) HSI width - 50" (1270mm)
- 3 bar MPR rotor
- Multiple blow bar chemistries available to fit application
- Two (2) fully lined aprons
- Minimum apron settings - primary 2", secondary 1"
- Hydraulic adjustment
- RPM maximums vary on application and rotor
- Hydraulically actuated rear access

Under Crusher Conveyor

- 48" (1200mm) fixed height with full spill boards
- Impact bed, 360PIW single ply
- Easily removed for maintenance

Screen and Underscreen Conveyor

- 6' x 12' 2-deck (screen cloth optional)
- Hydraulic drive screen motor
- 48" (1200mm) under screen conveyor
- 24" (600 mm) cross conveyor, reversible
- Lowers for transport, easily removed

Return Conveyor

- 18" recirculating conveyor
- Hydraulically lowers for transport
- Return chute with hydraulic fold

Chassis

- Sculpted frame design
- 24" (600mm) tracks with dual drive
- Track length 12' 6" (3.6m)
- Balanced for zero cribbing
- Dust suppression with manifold

Power And Controls

- CAT C13 440hp / 328kw Tier 4 Final
- 150gal (568L) fuel tank
- 200gal (757L) oil reservoir
- One 12GPM and one 20GPM hydraulic circuits for magnet, side delivery, or auxiliary
- Radio remote / tether control system
- OPS 7 with push button or touchscreen
- Crusher CSS adjusted safely at control panel
- Real time system monitoring display

Options

- 18" Side Delivery with hydraulic fold
- 18" additional cross conveyor for top deck overs
- Permanent cross belt magnet, optional steel cladding
- Grizzly Bars with 2.5" spacing vs. grizzly fingers
- Lighting package mounted on engine housing
- Belt scale for under crusher conveyor
- Screen wire mesh for 6' x 12' screen
- 4 bar rotor (with 2 up, 2 down) vs. std.
- CAT C13 440HP Tier III vs. Tier IV (international)
- Flop gate on return chute to direct overs off plant
- Engine enclosure filter kit
- Hybrid power option available

Physical/Operating Characteristics

Dimension	Standard	Metric
Travel Height	11' 11"	3.6 m
Travel Length	71' 10"	21.9 m
Travel Width	12' 2"	3.7 m
Operating Height	13' 3"	4.0 m
Operating Length	71' 3"	21.7 m
Operating Width	12' 1"	3.7 m
Operating Width w/ Discharge	16' 4"	4.9 m
Feed Height	11' 5"	3.5 m
Discharge Height	10' 10"	3.3 m
Side Discharge (if equipped)	4' 7"	1.4 m
Optional Cross Conv. (if reverse)	3' 9"	1.1 m
Ground Clearance	10"	0.3 m
Highest Estimated Decibel Level (Operating with No Material)	100dB @ 3' 70dB @ 200'	0.9 m 61 m
Total Weight	125,500lb	56,925 m
Screen Package	11,750lb	5,330 kg
Optional Magnet	4,750lb	2,154 kg
Feeder & Hopper	17,275lb	7,835 kg
Optional Side Delivery	1,530lb	694 kg
Return Conveyor	2,430lb	1,102 kg
Optional Cross Conveyor	2,000lb	907 kg

